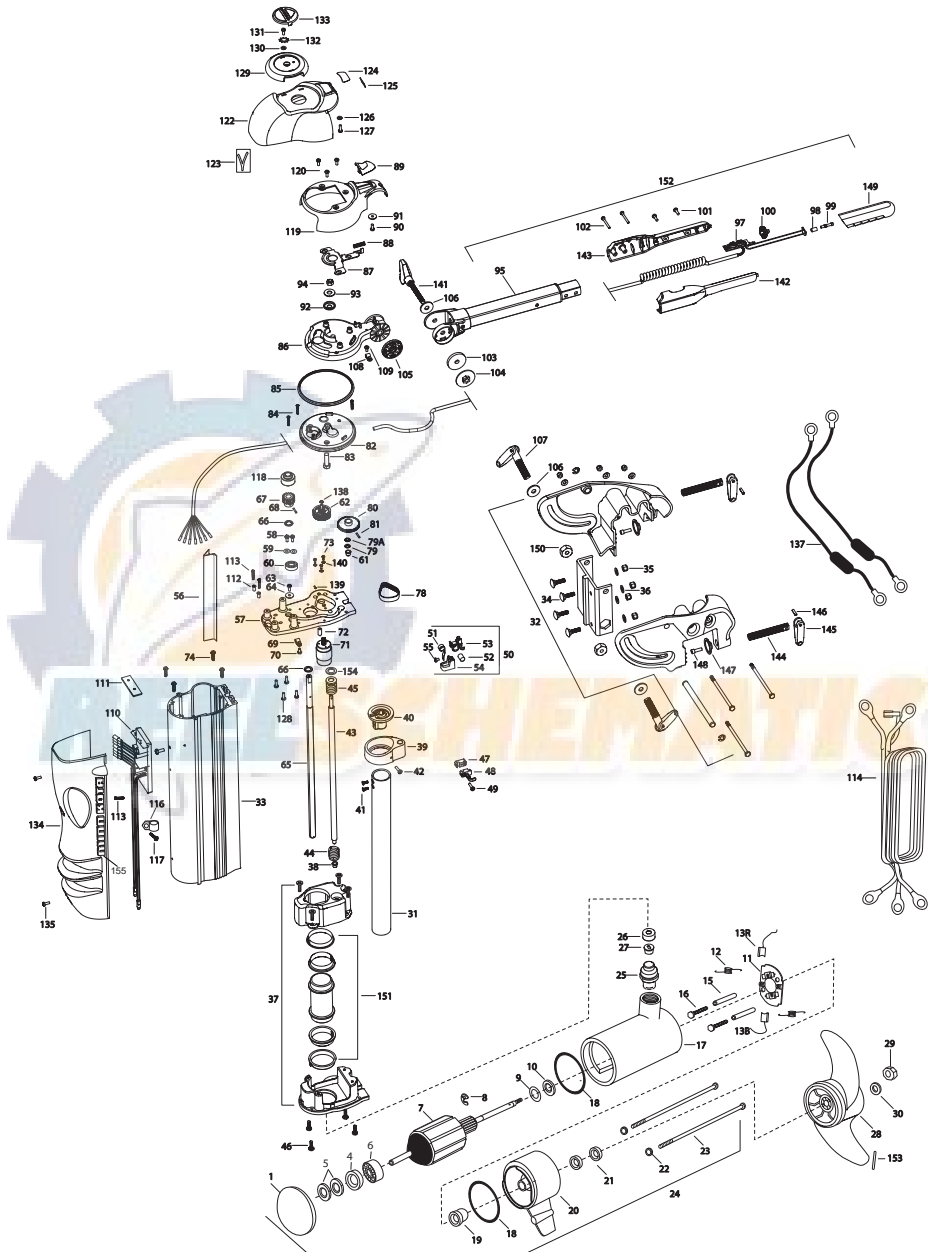


VANTAGE 80  
80 LBS THRUST  
24 VOLT 56 AMPS

for use with "P" serial numbers  
2-year warranty



In the U.S.A., replacement parts may be ordered directly from MINN KOTA Parts Dept. 121 Power Drive, P.O.Box 8129, Mankato, Minnesota 56002-8129. In Canada, parts may be ordered from any of the Canadian Authorized Service Centers shown on the enclosed list. Be sure to provide the MODEL and SERIAL numbers of your motor when ordering parts. Please use the correct part numbers from the parts list. Payment for any parts ordered from the MINN KOTA parts department, may be by cash, personal check, Discover Card, MasterCard or VISA. To order, call 1-800-227-6433 or FAX 1-800-527-4464.

Fuera de los Estados Unidos, consultar la lista anexa para ubicar el Centro de servicio autorizado MINN KOTA. No dejar de incluir el número del MODELO y el número de SERIE del motor para el cual se solicitan las piezas. Usar siempre los números de pieza correctos indicados en la lista de piezas.

1	421-276	PLAIN END HOUSING ASSEMBLY	*57 2051927	TOP PLATE, VANTAGE	*106 2051737	WASHER-FLAT.ID.406 X OD.8
4	990-045	THRUST SPACER	58 2053414	SCREW-#8-32 X 1/2 TRI-LOBE[2.EA]	*107 2050922	HANDLE, TENSION, SHORT
5	992-010	SPRING WASHER [2.EA]	59 2051717	WASHER-#8 SAE FLAT ZNK PLT [2.EA]	108 2052510	CABLE CLAMP, 3/16" VANTAGE [2.EA]
6	140-010	BALL BEARING	*60 2057306	BEARING-BALL (VANTAGE)	109 2053415	SCREW-#8-32 X 3/8" TRI-LB[3.EA]
7	2-100-214	ARMATURE ASSEMBLY 24V 4"	*61 2057302	BEARING-UPPER, LIFT SCREW	*110 2774401	CNTRL BRD ASSY 24/36V W/PAD INCL.111
8	788-040	RETAINING RING	*62 2052630	PIN, CLUSTER GEAR	*111 2315105	INSULATING PAD
9	990-051	WASHER-THRUST, STEEL	63 2053415	SCREW-#8-32 X 3/8 TRI-LOBE P	112 2261712	SHOULDER WASHER [2.EA]
10	990-052	WASHER- NYLATRON	64 2051716	WASHER-FENDER #10	113 2053407	SCREW-#8-32 X .75 PPH[3.EA]
11	2-600-144	BRUSH/WIRE/PLATE ASSEMBLY INCL.11-13	65 2052001	SHAFT-STEERING, VANTAGE	114 2051220	LEADWIRE.24/36V.3 CONDUCT
11	738-004	BRUSH PLATE 4" TERMINAL	66 2051706	WASHER-SPRING SUPPORT[2.EA]	116 2052512	CABLE CLAMP, 1/2" VANTAGE
12	975-041	SPRING -TORSION [2.EA]	67 2052205	GEAR, STEERING TUBE MACHINED	117 2053415	SCREW-#8-32 X 3/8" TRI-LOBE P
13	188-094	BRUSH	*68 2052615	PIN-DRIV-LOK 1/8 X 1 1/8"	118 2052210	ROLLER-STEERING SHAFT
15	973-025	SPACER -BRUSH PLATE [2.EA]	69 2052510	CABLE CLAMP, 3/16" VANTAGE	*2880102	CONTROL HEAD COVER LATCH KIT
16	830-027	SCREW -SELF THREADED 10-32 X 2" [2.EA]	70 2053415	SCREW-#8-32 X 3/8 TRI-LOBE P		INCL. 89,90,91,119
17	2-200-160	CENTER HOUSING FIELD ASSEMBLY	71 2777812	MOTOR-LIFT (12,24,36V)	119 2050200	COVER-CONTROL HEAD
18	701-043	O-RING (2 REQ'D)	72 2058411	TENSIONER-BELT (VANTAGE)	120 2053415	SCREW-#8-32 X 3/8" TRI-LOBE[3.EA]
19	144-017	BEARING -FLANGE	73 2053422	SCREW - 3MM	121 2012100	SCREW-8-18 X 5/8" THD CUT[3.EA]
20	2-300-160	BRUSH END HOUSING ASSEMBLY	74 2053413	SCREW-10-16X1" TYPE AB,HEX[4.EA]	122 2050211	SHROUD-CONTROL HEAD
21	880-025	SEAL [2.EA]	*2882201	CLUSTER GEAR / FLANGE PULLEY KIT	123 2055612	DECAL-SHROUD (VANTAGE)[2.EA]
22	701-009	O-RING -THRU BOLT [2.EA]		INCL. 75,76,77	124 2055604	DECAL-COVER, 24V
22	2889460	SEAL & ORING KIT INCL. 18, 21, & 22	*75 2770428	PULLEY/PINION GEAR ASSEMBLY	125 2055610	DECAL-COVER, LED
23	830-094	THRU BOLT 12-24 X10.31[2.EA]	*76 2058405	FLANGE-PULLEY (VANTAGE)	126 2051712	WASHER- .152 ID, .50 OD, .06
24	2316271	MOTOR ASSEMBLY, 4", 24V	*77 2053418	SCREW-4-40 X 1/4 PPH[2.EA]	127 2302100	SCREW-6-20 X 1/2" THD CUT
25	979-015	STRAIN RELIEF - BODY	*78 2050800	BELT-DRIVE (VANTAGE)	128 2012100	SCREW-8-18 X 5/8" THD CUT (REQ'D)
26	9950339	CAP - STRAIN RELIEF	*79 2051705	WASHER-NYLON ID.312 X OD.	129 2050110	KNOB-POINTER, VANTAGE
27	2382900	GROMMET- STRAIN RELIEF	79A 2051703	WASHER-THRUST ID.315, OD.562	130 2051717	WASHER- #8 SAE FLAT ZNK PLT
28	2331160	PROPELLER (W.WEDGE 2) MAX 101	*2882200	GEAR LIFT/PIN KIT INCL.80,62	131 2332101	SCREW-8-32 X 1/2" SS
29	2093101	NUT-PROP NYLOC (LARGE) MAX 101	*80 2990426	LIFT GEAR ASSEMBLY	132 2371715	LOCKWASHER-STAR #8 ZINC
30	2091701	WASHER-PROP (LARGE) MAX 101	81 2052620	PIN-DRIV-LOK 1/8 X 5/8"	133 2056700	PLUG, POINTER, VANTAGE
31	2772010	TUBE-MOTOR, 1 3/4" KIT W/TEMPLATE	82 2056520	CAP-LOWER, GEAR HOUSING	134 2050220	SHIELD-EXTRUSION, VANTAGE
32	2991822	TRANSOM BRACKET ASSEMBLY 36V	83 2383500	BOLT-3/8-16 X 1.25	135 2053414	SCREW-#8-32 X 1/2" TRI-LOBE[3.EA]
33	2056505	HOUSING EXTRUSION	84 2053402	SCREW-10-24 X 1" TRI-LOBE [3.EA]	136 2055611	DECAL-SHIELD (VANTAGE)[2.EA]
34	2035311	BOLT-CARRIAGE 5/16-18 1" [4.EA]	85 2054600	O-RING, GEAR HOUSING	137 2998200	CIRCUIT BRKR ASSEMBLY 36V [2.EA]
35	2151726	WASHER-5/16 STD (S/S)[4.EA]	86 2056510	CAP-UPPER, GEAR HOUSING	138 2051732	WASHER. 315 X .562
36	2053103	NUT, 5/16-18 NYLOC [4.EA]	87 2057200	LATCH (VANTAGE)	139 2053420	SET SCREW #8-32
37	2770420	LOWER SUPPORT CAGE ASSEMBLY	88 2052711	SPRING, LATCH RETURN	140 2051710	LOCKWASHER 3MM
38	2057302	BEARING-UPPER, LIFT SCREW	89 2060102	KNOB-LATCH (VANTAGE)	141 2050921	HANDLE TENSION - LONG
38	2831510	YOKE BEARING RACE KIT INCL.39,40,42	90 2353401	SCREW-10-16 X 1/2 STALGD	*2880910	HANDLE L/R KIT
39	2051510	YOKE-LIFT SCREW	91 2051716	WASHER-FENDER #10		INCL. 100,101,102,142,143,150
40	2056200	BEARING RACE-YOKE	92 2151730	WASHER-CUP (HINGE BRACKET)	*142 2050916	HANDLE SIDE L
41	2053401	SCREW-10 X 1/2 TYPE 25[2.EA]	93 2051737	WASHER-3/8 FLAT [ZINC]	*143 2050911	HANDLE SIDE R
42	2353401	SCREW-10-16 X 1/2 STALGD	94 2053107	NUT-3/8-16, TOPLOCK	*2880925	HANDLE/CLAMP SCREW KIT
43	2053400	SCREW-LIFT, 1/2-10 ACME	96 2990921	HANDLE ASSEMBLY, VANTAGE		INCL. 2 EA OF 144-148
44	2052707	SPRING-COIL,SOFT STOP	*2884106	HANDLE CTRL BOARD/GRIP KIT INCL. 97,149	*144 2051300	SCREW-CLAMP 5/8X4
45	2770429	COIL SPRING/WASHER ASSEMBLY KIT	*97 2994005	CTRL BOARD ASSEMBLY-HANDLE	*145 2050925	HANDLE-CLAMP SCREW
46	2053413	SCREW-10-16X1" TYPE AB,HEX(4REQ'D)	98 2055115	BUTTON SWITCH ACTUATOR	*146 2052625	PIN-COILED SPRING
47	2883200	WIRE CLAMP KIT INCL. 47,48,49	*2883701	PLUNGER/GRIP KIT INCL. 99,149	*147 2011710	WASHER-CLAMP SCREW
*47	2053200	WIRE CLAMP, LEFTHAND	*99 2053700	PLUNGER, ON/OFF	*148 2263402	SCREW- 1/4-20X3/4"
*48	2053205	WIRE CLAMP, RIGHTHAND	100 2050111	KNOB-SPEED CONTROL	149 2880424	GRIP KIT
*49	2053417	SCREW-10-16X3/4 TYPE BT,PPH	101 2012100	SCREW-8-18 X 5/8" THD CUT[2.EA]	*150 2053105	NUT- HEX
50	2770400	TAPE SPRING ASSEMBLY INCL. 51-55	102 2053412	SCREW 8 X 1.5" TYPE 25 PPH[2.EA]	151 2881500	TUBE/SLEEVE/BUSHING KIT
51	2052705	SPRING, CONSTANT FORCE	*2880921	HANDLE TENSION KNOB KIT	152 2990950	HANDLE/CTRL BOARD ASSEMBLY
52	2052610	PIN-PIVOT 7/16" O.D.		INCL. 103,104,105,141	153 2262658	PROP PIN
53	2051920	BRACKET-SPRING	*103 2051736	WASHER-URETHN.ID.4 X OD 1	154 2340610	CONNECTOR CABLE
54	2052305	WIRE GUIDE (VANTAGE)	*104 2053115	NUT-WASHER, HANDLE ASSEMBLY	155 2055611	DECAL, SHIELD
55	2053418	SCREW-#4-40X1/4 TYPE F,PPH	*105 2050015	RACHET-DISK, HANDLE ASSEMBLY		
56	2050225	WIRE SHIELD	*2880920	BRACKET TENSION HANDLE KIT		
56	2770405	TOP PLATE ASSEMBLY INCL.57,60,61,68		INCL. 106,107,150		

\* THIS ITEM IS PART OF AN ASSEMBLY AND CAN NOT BE SOLD SEPARATELY

P/N 2054907 REV. L ECN 31083

11-08

## 24 Volt Systems- VANTAGE 80

### 24 Volt Systems:

1. Make sure that the motor is switched off (speed selector on "0").
2. Two 12 volt batteries are required.
3. The batteries must be wired in series, only as directed in wiring diagram, to provide 24 volts.
  - a. Connect the connector cable supplied with the motor to positive (+) terminal of battery 1 and to negative (-) terminal of battery 2.
  - b. Connect positive (+) red lead to positive (+) terminal on battery 2.
  - c. Connect the yellow (+) lead to positive (+) terminal on battery 1.
  - d. Connect negative (-) black lead to negative (-) terminal of battery 1.
4. For safety reasons do not switch the motor on until the propeller is in the water.

If installing a leadwire plug, observe proper polarity and follow instructions in your boat owner's manual.

Over-Current Protection Devices not shown in illustrations.

## VANTAGE 80 24 VOLTS ONLY

